



**MAXX | MAXX-M**

**LARGE FREESTANDING PELLET STOVES**





# MAXX | MAXX-M

## LARGE FREESTANDING PELLET STOVES

Specifications	MAXX	MAXX-M
Heat Output*	70,000 BTU	60,000 BTU
Heating Area	2,700 ft <sup>2</sup>	2,500 ft <sup>2</sup>
Efficiency*	86%	79.2%
EPA Emissions	2.3 g per hour	N/A
Hopper Capacity	130 lbs	130 lbs
Weight	325 lbs	325 lbs
Power (normal use/start-up)	300 / 450 watts	350 / 600 watts
Variable Fan Speed	455 cfm	455 cfm

\* Efficiency, emissions and area heated will vary according to fuel type, venting and location

### Clearance to Combustibles

Minimum distance to the sides of the unit	12"
Minimum non-combustible surface behind the unit	4"
Min. non-combustible surface from the top of the unit	42"

Please see owner's manual for more information

### MAXX Series Features

- Large (1320 sq. in.) heavy duty heat exchanger
- Automatic Electronic Controls
- Easy Dual Chamber Ash Pan Removal
- Standard Bolt on Heath Pad
- Tri-mode Operating System: Manual, Hi/Lo, Auto Off
- Remote Control or Thermostat Compatible

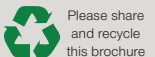
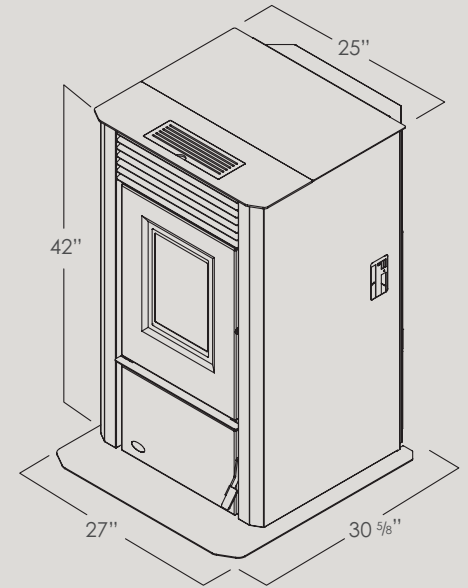
### MAXX-M Features

- **Multi-Fuel Burner** – This system will burn different fuel types without having to change any burner parts - from wood pellets, corn, wheat, barley, paper pellets to all bark pellets.
- **Low Maintenance Burner** – A rod in the burn pot rotates, breaking up any clinker or ash and moves it into the ash pan in order to greatly reduce cleaning intervals. The ash pan would need to be emptied as required.

### MAXX Heat Distribution Kit Option\*

This allows you to distribute heat throughout multiple rooms within the home.

\* Not available for the MAXX-M



Manufactured by Sherwood Industries Ltd ▪ Victoria, BC, Canada  
 enviro.com ▪ info@enviro.com ▪ Printed in Canada, September 2012